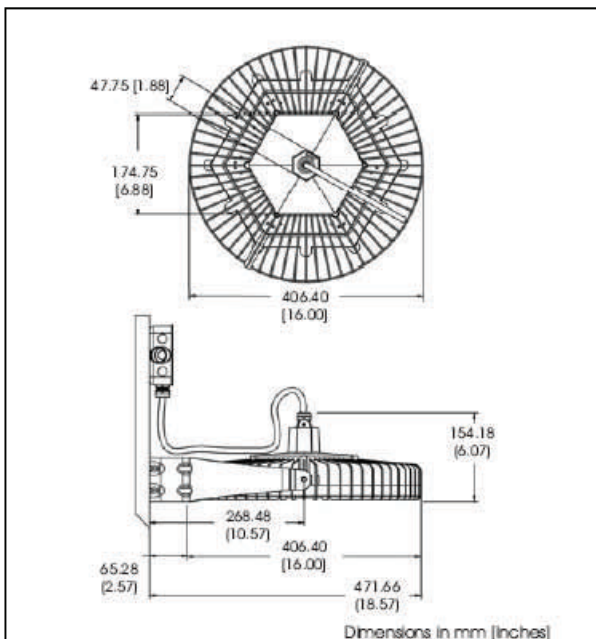
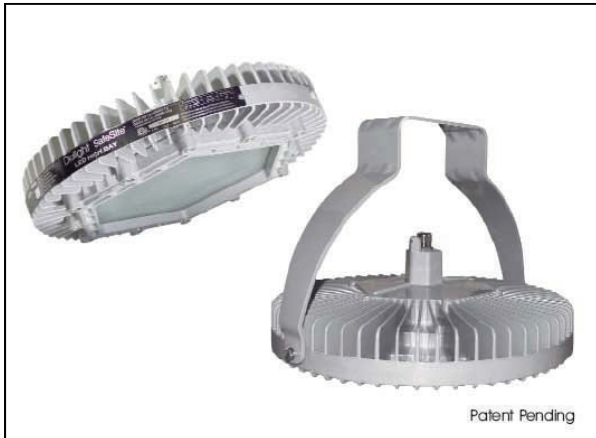


The first of its kind, the Dialight SafeSite™ LED High Bay luminaire was designed specifically to replace conventional lighting in a wide variety of Hazardous Area applications, both indoor and outdoor. Its low profile light weight design and versatile mounting options make it ideal for High Bay and Floodlighting applications for ATEX and IECEx classified Hazardous Area Zones.

The luminaire is designed to meet the most demanding specification criteria while offering maximum energy savings, reduced maintenance costs, and a superior quality of light.



#### Mechanical Information:

Fixture Weight: 13.6kg  
 Mounting: Stirrup Mounting Bracket included  
 Fixing: Factory installed 3m SWA cable

#### Electrical specifications:

Operating Voltage: Standard: 100-277VAC, 50/60Hz  
 Total System: 165W maximum  
 Power Consumption: 150W typical  
 Operating Temp: -40°C to +60°C  
 Power Factor: >0.9  
 Harmonics: IEC 61000-3-2  
 Surge Protection: IEC 61000-4-5  
 1kv line to line; 2kv line to ground  
 THD: <5% (100VAC)  
 <10% (230/240VAC)  
 <12% (277VAC)

#### Construction

Body: Copper Free Aluminium  
 Finish: Anodised  
 Lens: Toughened Glass

#### Photometric Information:

CRI (typ): 70 (cool white)  
 CCT (typ): 6,000K (cool white)



#### Certifications & Ratings:

- ▷ Ex II 2G D Ex d IIB T5 Gb
- ▷ Ex tb IIIC T100°C Db IP66
- ▷ Certificate numbers: IECEx BAS 10.0074X  
Baseefa 10ATEX0148X
- ▷ ATEX Zones 1 & 21 and 2 & 22
- ▷ CE - Compliant with EN 55015-2006 & EN 61547
- ▷ IP66 rated
- ▷ RoHS compliant

#### Features & Benefits:

- ▷ Low power consumption
- ▷ Instant on/off operation
- ▷ Mercury free, lead free
- ▷ Resistant to shock and vibration
- ▷ Temperature compensation technology for longer life
- ▷ SWA Cable 3 core 1.5mm<sup>2</sup> CSA
- ▷ One man installation
- ▷ Direct equivalent to a 400 Watt HPS
- ▷ 60,000 hours at 80% lumen maintenance
- ▷ 5 Year Guarantee

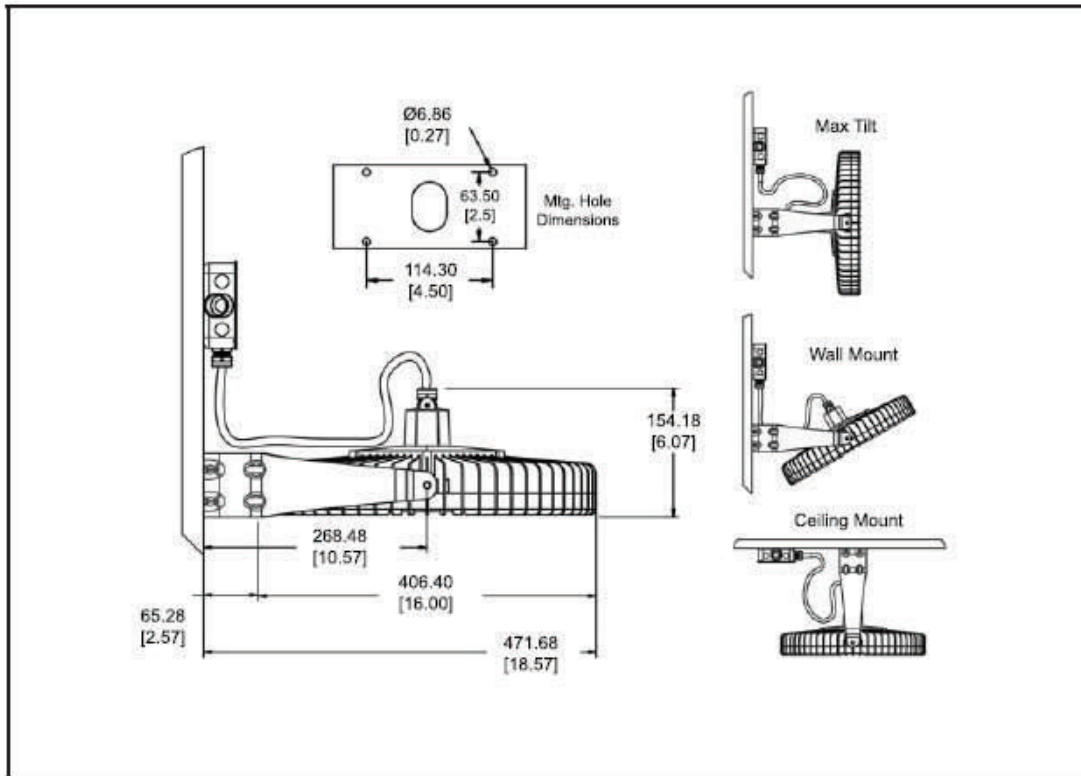
#### Order Codes\*:

Part Number	Description	Optic	LED Color	Initial Total Lumens
HBA9C4M	Toughened GLASS	Narrow Circular	Cool White	9,500

\*Stirrup Mounting Bracket included

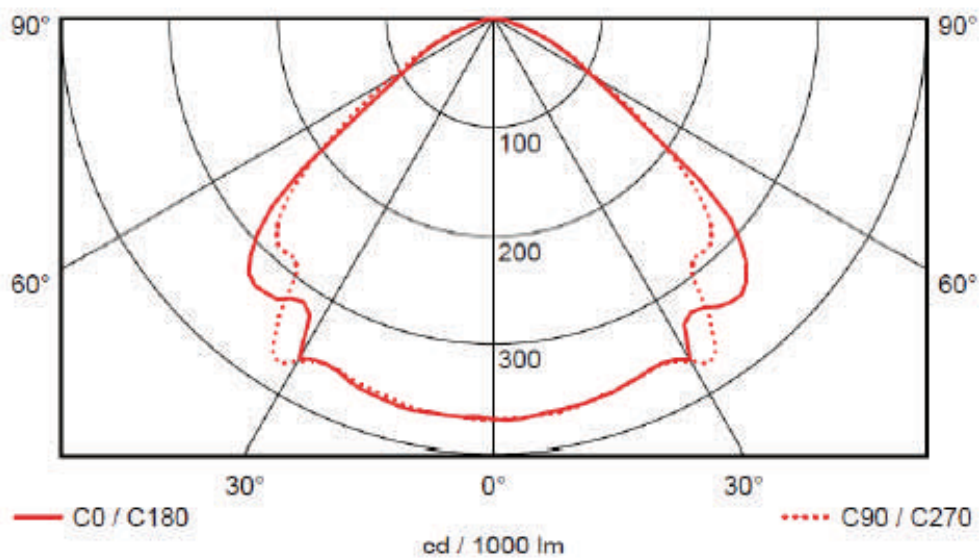
## LED ATEX Hazardous Area High Bay light

## SafeSite™ High Bay Mounting and Orientation



## SafeSite™ Series LED High Bay Polar Diagrams

HBA9C4M



## LED ATEX Hazardous Area High Bay